

Pieceful Times

Newsletter

President's Message November 2017

Hi Everyone, I am very excited to see our year get off to a great start. The program committee is doing a great job.

I am looking forward to this month's guild member demos that we get to see. Learning from each other is a great opportunity for us all. I hope you were able to sign up for the weekend retreat. All the ladies on the retreat committees are working hard for you all too.

We are working on finding a space that is affordable and would work for the Saturday retreats. Mom's House will be here to tell us about their work with young mothers.

I hope we can get a lot of participation for the challenge this year as the quilts will be going to them.

I have heard that Ailsa Craig, Ontario, Canada (one hour after the Port Huron Bridge) will be hosting quilts from Iceland at the end of May. These shows are always exciting. They will have classes, and in the past they have also had a slide show presentation about quilting in their country.

Looking forward to all the other news I will be able to read in the Newsletter this month from Irene. See you soon.

Colleen

The Gathering of Quilters Guild

Guild Meetings are:

- *Held at Holland Free Methodist Church*
- *6605 Angola Rd.
Holland, OH 43528*
- *Doors open @ 6:30 pm*
- *Meeting starts at 7 PM*
- *Next Meeting is
11/16/17*
- *Meetings are the 3rd
Thursday of the month,
Sept—May*
- *No December meeting*



Colleen Florkowski

Our November Topic:

Gift Giving Demos by Guild Members

Ellen Bowers--State Shape Collage

Sheila Painter--Quickie Quilts

Margie Stone--Pillowcases and Zippered Bags

Diana Trost--Stripe Pieced Place Mats

Needed for January Meeting:

Are any members willing to demo a specialty ruler for our Jan. meeting? Please contact any program chairperson and let us know as soon as you can. Thanks so much!

Everyone,

Please be respectful of others and **turn off cell phones, pagers, or other noise makers during our meetings.**

Thank you!

Colleen and fellow GOQG Members

President's Message October 2017

Hello Quilters. I was thrilled with our September meeting! It was so good to see everyone ready for a new year together with more meetings and more members. We have quite a few new members! Welcome to you all. We look forward to everything that you have to share with the Guild.

Thank you to the Program Committee for the birthday/ anniversary cake. It is hard to believe the Guild has been around for 35 years. I can't wait to see what the next 35 years will hold in store for us.

I hope you enjoyed Vikki Pignatelli's program. Besides enjoying all her breathtaking quilts I loved her stories about how she is inspired to create and then to see that creativity flow into her quilts. I imagine it is how all great artists feel as they put their heart and soul into their work. I think I enjoy the stories as much as the quilts from all of our speakers and can't wait to see what the rest of the year brings.

See you soon!

Colleen Florkowski

The October President's Message

is printed here to insure the guild members have the opportunity to read Colleen's message since there was not an October newsletter

The Gathering of Quilters Guild Minutes DRAFT from Oct. 19, 2017 For Guild Approval

The meeting was opened by president Colleen Florkowski at 7 pm.

Minutes from September were approved; moved by Judy Kandigiuranis, seconded by Carmen El Amin.

Treasurer's report was approved; moved by Diana Lindhorst, seconded by Dale Burnett.

Draft

We will not have newsletters every month.

New Members: Darlene Folk and Jerrie Lutland

Visitors: 10, some from Jackson, MI

Day Retreats: location to be determined; none in October.

Weekend Retreat, May 18, 19, 20, 2018 in Chesaning MI has two openings left and will start a waiting list. For an extra \$30, one may come up Thursday night after the guild meeting.

Start gathering quilting stuff for the Stash Raffle : fabric, UFO's, patterns, books, tools, rulers. Be sure to bring address labels and money. More info at the November meeting.

Challenge: Toddler quilt: I Spy my ABC's and 123's. [Several stores have really cute appropriate fabrics.] Due at May 2018 meeting.

Another quilt shop is closing: Touch of Heaven in Wayne OH

Sacred Threads quilt show at [421 N. Erie street](#) in Toledo Thurs, Fri. and Sat. this weekend.

Show & Tell: Karen Rupp, Sandy Dallas, DianaTrost. Wow!

Raffles:

50/50: Vicki Jones

Fat Quarter: Chris Geise

Door Prize: June Seigneur

Meeting was closed by acclimation at 8:45.

Program by Marguerita McManus: Quilt as you go. Quilting on a domestic machine in a motor home!

Mini demo of crazy quilts, using as many fat quarters as you want blocks., Battind Warm and Natural or Warm and White.

From traditional to wonky

Tips: preshrink stabilizer and fabric, or use strong 50/50 bottled starch for stabilizer, line dried.

When joining blocks, use 2" strip on back and 1 ¼" strip on front cut with the length grain (for less stretch). Use fat ¼" allowance on joining seam. Sue Pelland rulers are great for leaves on borders.

She sold many books.

Reported by Hattie Kate Howell

Recording secretary

Treasurer's Report as of October 11, 2017

Beginning Balance	\$6,193.49
Income	\$4,173.00
Expenses	\$699.09
Balance	\$9,667.40

Quilting Economics



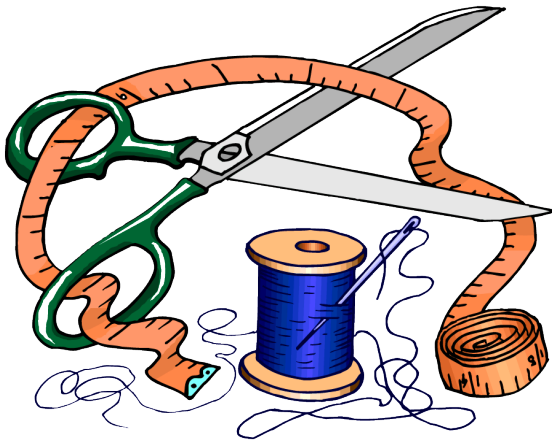
**Don't Forget - STASH RAFFLE
at the March 15, 2018
Guild Meeting!**

Cleaning out cupboards, drawers, tote bins from your sewing room???

Remember **the stash raffle at our March 15, 2018 meeting.** This is a fund raiser for our guild.

Fabric--books--patterns--magazines--rulers--UFO'S--embellishments--anything quilt related is welcome. Plan to donate lots of quilty supplies and items to the Stash Raffle.

And, look forward to playing the Stash Raffle!



Editor's Note to Readers:

If you would like information posted in the newsletter, please contact me by the first of the month with the information.





Contact me at irose0603@gmail.com

Take care. Keep calm and keep quilting.

Irene Rose

Remember to Bring the following with you

to the Guild Meeting:

-  **Canned & packaged food for the Charity Food Kitchen at the Church**
-  Address Labels for raffle use
-  Pop tabs
-  **Batiks Fat Quarters for Raffle Basket**

Here are your GOQG Board Members:

President	Colleen Florkowski
Co-Vice Presidents	Tom Sharkey & Linda Ball
Newsletter	Irene Rose
Recording Secretary	Hattie Kate Howell
Treasurer	Susie Todt
Publicity & PR Bookmark	Ellie Grabarczyk
Membership & Webpage	Beth Rohrbacher
2016 - 17 Program Co-Chairs	Jill Holt, Gretchen Schultz, Marjory Wilkin
2017-18 Program Co-Chairs	Kathy Kanitz and Vicki Karnes
Program Booklet	Diana Jacob
50/50 Raffle	Wanda Dyer & Ellie Grabarczyk
Fat Quarters/ Pop Tabs	Danielle Kistner
Challenge	Diana Trost & Irene Rose
Historian/ Photos	Vicki Jones
Annual Retreat	Kathy Kanitz & Margie Stone
Day Retreats	Linda Ball
Door Prizes	Sheila Painter
FaceBook Editor	Irene Rose

Attention GOQG Members:

The Gathering will sponsor a spring quilt retreat at
Creative Passions Crop and Quilt

Retreat Center

in Chesaning MI

on

May 18-20, 2018

The cost is \$165 and this will include
two dinners!

Please check out the website:

www.creativepassionllc.com

**Reservations are being accepted for Gathering
members now!!!**

**The retreat will be open to other guilds in Octo-
ber. This will fill up quickly.**

Do not hesitate to mail your completed form to:

The Gathering of Quilters 2018 Retreat

P.O. Box 631

Sylvania OH 43560

Contact Kathy Kanitz or Margie Stone if you have
any questions.

Creative Passions Crop & Quilt Retreat Center Chesaning, MI

Kathy Kanitz and Margie Stone are planning the GOQG's annual retreat for the coming year. They have chosen the location of the retreat to be the Creative Passions Crop & Quilt Retreat Center in Chesaning, MI. The retreat facility sounds amazing and pretty fantastic!!

If you are a guild member who likes to attend the guild annual weekend retreats, **you need to jump on this opportunity as quickly as possible - by the September guild meeting** - as it sounds like the spots are going to fill up quickly. **Rumor has it the retreat spots may be sold out by mid October!!**

Kathy and Margie's description of the retreat facilities and it's awesome reputation make the upcoming retreat **in May 18 - 20, 2018 for \$165** an opportunity not to be missed!!

Here's info about items provided for you during your stay at the retreat:

Each workstation has your own table, comfortable chair, lamp, & cup holder / trash bin

Shampoo, conditioner, shower gel, 3 bath towels & 2 wash cloths per person

Bedding, blankets, pillows, bottled water, coffee, and ironing boards

Computer and printer, cable TV with DVD player, wireless internet

All dishes & paper products for meals

Patio with table, chairs, and fire pits at each location

Items provided for quilters:

2 Cutting stations

2 ironing stations

Do bring your own cutting mats, cutters, rulers, and irons

Services available at the retreat center:

Pedicures (schedule 2 weeks prior to arrival)

Licensed pedicurist available on site

Massages (schedule appointments 2 weeks prior to arrival)

30 minute & 45 minute massages available by a female certified massage therapist

Take heed of this information! If you're interested in the retreat, **YOU** need to sign up soon / now, or you may not get a spot!!!

Gathering of Quilters Guild Challenge for 2017 - 2018
Mom's House Charity Quilt Challenge
Theme: "I Spy My ABC's and 1, 2, 3's"

Purpose: The quilts will be donated to Mom's House to be used / given to toddlers - kindergarten aged children. The theme is aimed at fun pre-school children learning / education. Your quilt can include I Spy, or ABC's, or 1, 2, 3's, or all of the above. The goal is a fun happy quilt which is about learning.

Mom's House Toledo is a 5-star childcare center available to help low-income, single moms graduate from high school, technical school and college. With intervention and support, they help single moms set and attain lifetime educational goals, and break the cycle of poverty for you and your children.

Mom's House strives to break the cycles of poverty and welfare. Their mission is to guide at-risk single parents through the process of achieving educational goals and provide tools and resources needed to become effective parents.

Guidelines / Rules

Members may make as many quilts as they desire for the guild charity, but only one quilt per member entered in the guild charity challenge is eligible for a prize. The quilt entered in the challenge for a prize must be made entirely by a guild member. The quilt should reflect the theme, "**I Spy My ABC's and 1, 2, 3's**". It may be:

Any color(s) or design

Be of a cheerful, happy appearance

Each quilt must consist of three layers – quilt top, batting, backing – and have a binding. There may be **no attached embellishments**.

The quilt must be quilted, versus tied, and, must be entirely machine washable and dryable.

The quilt size should be between 40" to 50" wide and 50" long.

Quilts are to be brought to the May 2018 meeting to be considered for voting. Members of the guild will vote for the quilts which best reflect the theme and quality workmanship. Winners will receive:

1st Place - \$75 Gift Certificate

2nd Place - \$50 Gift Certificate

3rd Place - \$25 Gift Certificate

Check out our website at:
www.gatheringofquilters.org

Editor's Note

Due to poor time management planning and an unusual past 2 months, there are no Guild Member Interviews in this newsletter. I appreciate your patience and apologize for the late newsletter.

Irene Rose

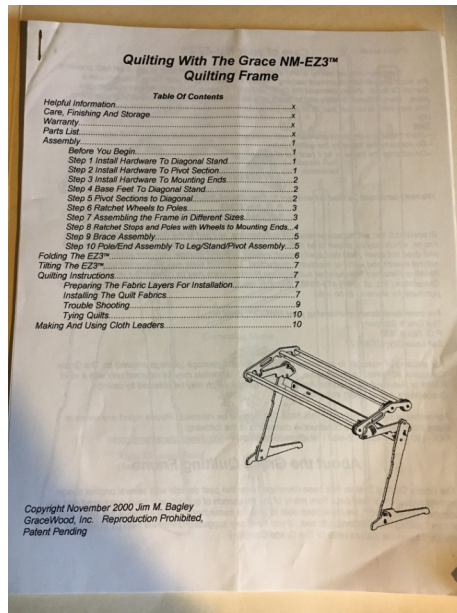
Classified Ad

For sale:

A lightly used **Hand Quilting Rack**. All pieces and instructions present.

\$100 or Best Offer

Please contact Holly Gutek (419) 351-7793



Please!

Remember to bring only quality, high thread-count fabric fat quarters (18" X 21") for the raffle basket!

Thank you.

The Gathering of Quilters Guild Minutes of September 21, 2017 meeting

President Colleen Florkowski opened the meeting at 7 pm, and Gretchen Schultz introduced Vikki Pignatelli

Business meeting

35 years of promoting quilting by our Gathering of Quilters Guild Present-64; New members-10; renewed members- 45; guests-m9. Past Presidents-5; Founding members-2; Board members-8-10

Minutes:

Diana Lindhorst moved, Debbie LInenkugel seconded and vote approved.

Treasurer's report: Vikki Karnes moved, Kathy Kanitz seconded and vote approved.

Program chairwomen for 2018-2019 are Vicki Karnes and Kathy Kanitz

1-day Saturday retreat- will be announced by Linda Ball

3-day retreat will be held in Chesaning MI May18-20, 2018 \$165 includes housing and two meals and leftovers. This is a great venue and is always fun.

Challenge due May 17, 2018 A toddler-kindergarten quilt 40"-50" x 50" (nap-sized) for Mom's House. Colorful and cheerful with the theme: I Spy, my ABC's or 1,2,3's. no attached embellishments.

Raffles: 50/50: Nadine Macdonald Fat Quarter:

Jill Holt Door Prizes: Gayle Austin, Patty Miller, Tom Sharkey, Hattie Kate Howell, and Judy Kandiguranis

Show & Tell: Many beautiful quilts were shown including some charity quilts.

Report to Sheila Painter of your charity donations, whether quilts, dog beds, or other sewing related charity efforts.

Remember to bring non-perishibles for the church food bank. Our really reasonable room rent is partly because the church appreciates our charity efforts.

Announcements:

Sacred Threads trunk show in Reynoldsville, OH, Oct 28 Sacred Threads mini show at HeART GALLERY in St. Paul's Lutheran Church downtown Toledo, Oct. 19-21, 2017

Weekend of Quilts, Toledo Mennonite Church on Nebraska Sept. 29-30. Donations help their tutoring program.

Needle Arts show at Sanger Library, on Central Avenue, Sept 22-24

The meeting closed at 9:30 pm.

Next Meeting: Thursday October 19. Program Marguerita McManus

Reported by Hattie Kate Howell, Recording Secretary

Printed here D/T no October Newsletter

Guild Members Interview Project

Guild Members Still Needed for Interviews!

In an effort to help guild members get to know each other better, and keep our newsletter interesting, I've started interviewing different members. The interviews, along with a photo of the member, will be posted in our newsletters throughout the year.

The articles are meant to be informative and fun. **Interviewees are asked the following questions and may answer any or all of the questions.**

Interview questions included:

- Info about you ... Where were you born? What about you, are you working... retired ..., children, ... etc.? (Whatever you want to share)
- How long have you been making quilts?
- Why did you start making quilts?
- Do you have a favorite quilt making style (traditional, modern, scrap, etc.)?
- How long have you belonged to The Gathering of Quilters Guild?
- Why did you join the guild?
- Have you held any positions in the guild, if so, what were / are they?
- What do you like best about our guild?
- What is your proudest / most enjoyable / memorable quilt project?

Thank you so much to all those who participate in the interviews! And, I hope more members will volunteer / agree to interviews. I hope you enjoy this project.

Irene Rose

GOQG Members Charitable Quilty Donations

As part of the arrangement for renting meeting space at Holland Free Methodist Church, we have agreed to report to the church our members' involvement in sewing for charities.

Our president gives a report to the church at the end of each year's contract which includes a summary of the number of quilts/blankets made, as well as dog beds, school uniforms, cancer caps, burial gowns, school bags, etc., and, which organizations were the recipients.

Don't forget, everyone, tell me what charity items you donated since we met last. The tabulation continues, as a condition of our using the church for our meetings.

Never donated a charity quilt? Consider making a small pillow-style quilt from your leftover blocks or fabric, and be part of the count this year! You can pick up a ready-to-sew kit from Project Linus. Not comfortable with doing the quilting? Quilt tops are acceptable, as well....or let me tell you how quick and easy you can get these tops turned into quilts!

Report to me by phone, email, or at any meeting. ~Sheila Painter